



## LED Vapor Tight Light

### Product Description

Eagle Star Lighting LED Vapor tight light have a wide beam angle 165°\*120°, this LED fixture is an energy-efficient, low maintenance alternative to traditional fluorescent in a variety of commercial buildings, also can use as low bay lighting applications at 20 feet or lower. The lights expand the linear product offering to include IP65 rated fixtures for demanding industrial environments.

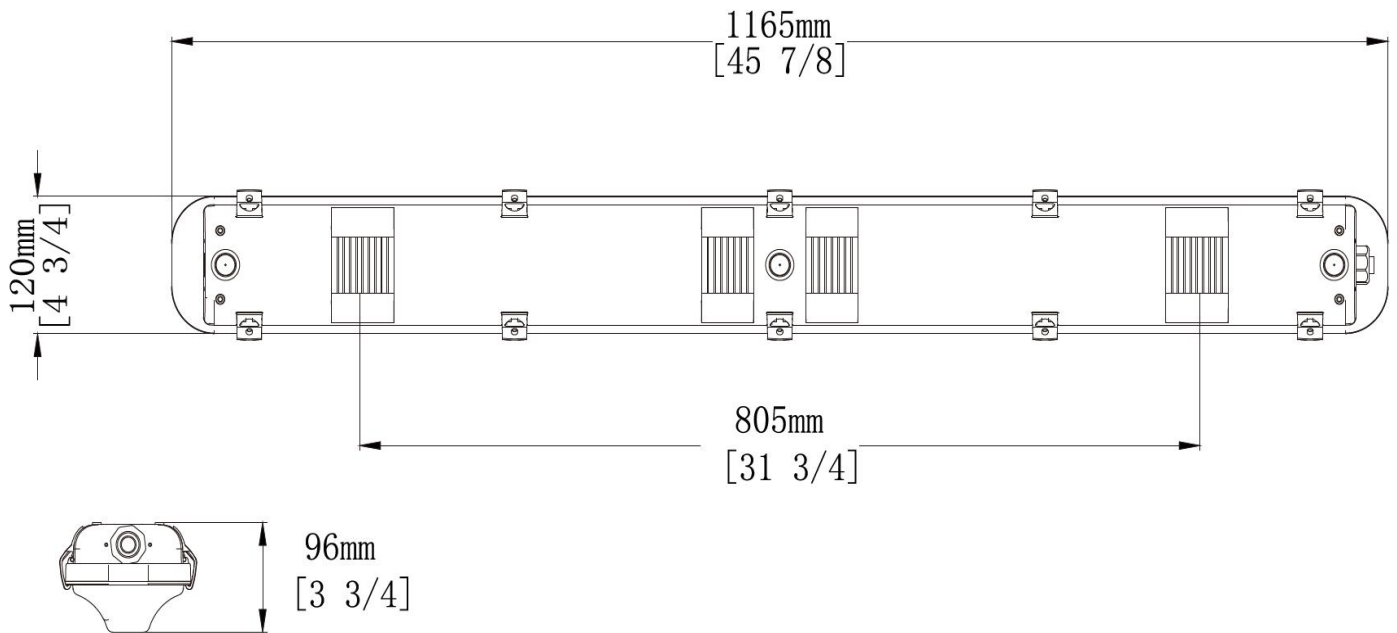


- Voltage 100-277V/120-347V AC
- Light Efficiency 130lm/w
- Lifespan above 50,000 hours
- Qualified with CE, RoHS, ETL, cETL, DLC
- UL certificated LED driver & EPISTAR LEDS
- 5 years warranty
- IP 65
- IK09 and 5VA rated shatter-proof optically enhanced diffuser (options of Striped/frosted optics) and stainless-steel clips.
- Three installation way: Surface Mount/Chain/Junction box
- Sealed fixture is dirt and bug free
- Motion sensor compatible
- EMI: Title 47 CFR 15 Class A.
- Ambient temperature from -30°C to 45°C

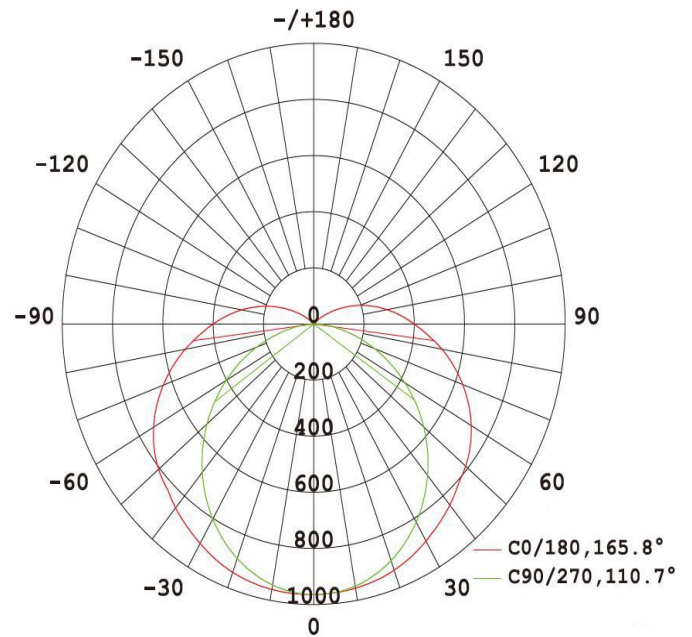
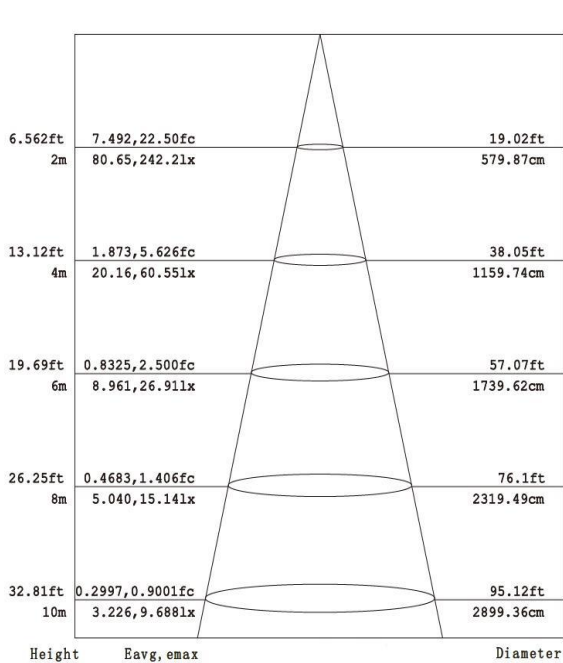
### Product Parameters

Model NO.	ES-TP040A01-YY	ES-TP050A01-YY
LED Chips	SMD 2835	
Input Power	40W	32W/40W/50W adjustable
Initial Lumens	5200lm	6500lm(50W)
Efficacy	130lm/W	130lm/W
CRI	> 80Ra	
CCT	3000k/4000k/5000k/5700k	3000k/4000k/5000k adjustable
Beam Angle	165°x120°	
Input Voltage	100-277V AC 50Hz/60Hz	120-347V AC 50Hz/60Hz
Working Temperature	-30°C Up to 45°C (-22°F up to 113°F)	
Certification	CE, RoHS, ETL, cETL, DLC	
Warranty	5 years	
Carton/Pieces	6	6
G.W	17.5kg	17.8kg
Carton Size	120*34*28cm	120*34*28cm

## Dimensions



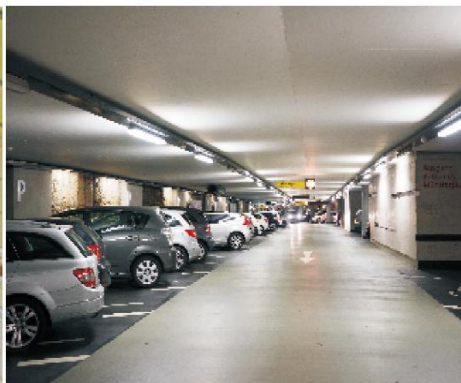
## Photometrics



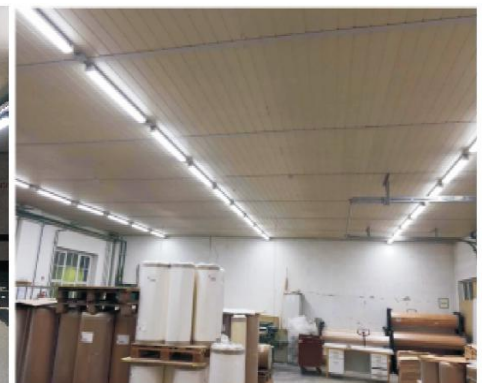
## Application



Farm buildings



Parking lot lighting



Warehouses